

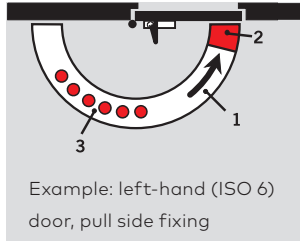


TS 77

TS 77 Door Closer

- The economical solution for standard doors.
- Non-handed, suitable for standard, parallel arm and frame installation.
- Fully controlled closing cycle.
- Surface finish for optimum corrosion protection.

Standard and optional functions

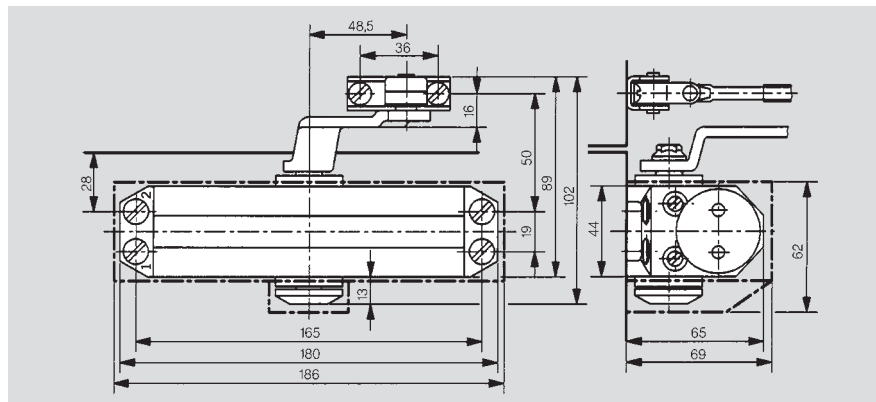


- 1 Fully controlled closing with speed adjustable between 180° or 120° and 20°
- 2 Adjustable latching action adjustable between 20° and 0°
- 3 Hold-open range if equipped with hold-open arm (optional extra)

¹⁾ For applications involving particularly heavy doors and doors which have to close against wind resistance, we recommend the dormakaba TS 83.

Technical Data		TS 77
Closing force	Size	3
Standard doors	≤ 950 mm	●
External doors, opening outwards		-
Non-handed		●
Arm assembly type	Standard	●
	Slide channel	-
Closing force variable at adjustment screw		-
Closing speed variable by valve adjustment		●
Backcheck		-
Delayed action		-
Hold-open		○
Weight in kg		1.3
Dimensions in mm	Length	180.0
	Overall depth	65.0
	Height	44.0

● Yes - No ○ Option



Specification text

Rack-and-pinion door closer with hydraulically fully controlled closing cycle and non-handed

Model

- Size 3
- with hold-open arm

Accessories

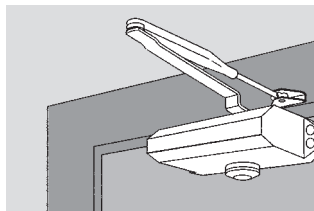
Closer Colour

- silver

Make

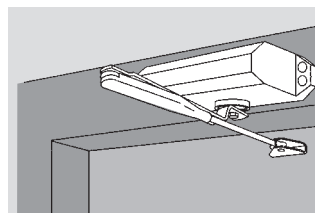
dormakaba TS 77

Applications and fixing



...on the pull side

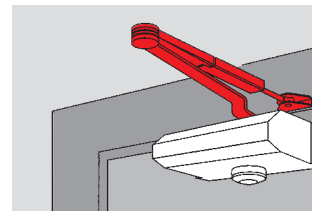
Door leaf fixing (standard)



...on the push side

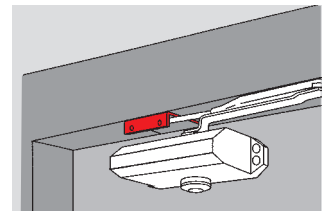
Transom fixing (overhead installation)

Accessories



...with hold-open arm

assembly for temporary door hold-open (optional extra)



...parallel arm

for parallel arm assembly (for installation dimensions, see fixing instructions)



www.dormakaba.com.sg

dormakaba Singapore
12 Tukang Innovation Drive
Tel: +65 6268 7633

dormakaba Thailand
(Thailand/Cambodia/Myanmar/Laos)
Tel: +662 236 4994

PT dormakaba Access Indonesia
Tel: +62 21 2930 3762

dormakaba Malaysia
(Malaysia/Brunei)
Taman Perindustrian Tiong Nam
Tel: +603 5523 5015

Temasya Industrial Park
Tel: +603 5569 8188

dormakaba Philippines
Tel: +63 2 893 4077

dormakaba Vietnam
Rep Office
Tel: +84 8 62 998 272